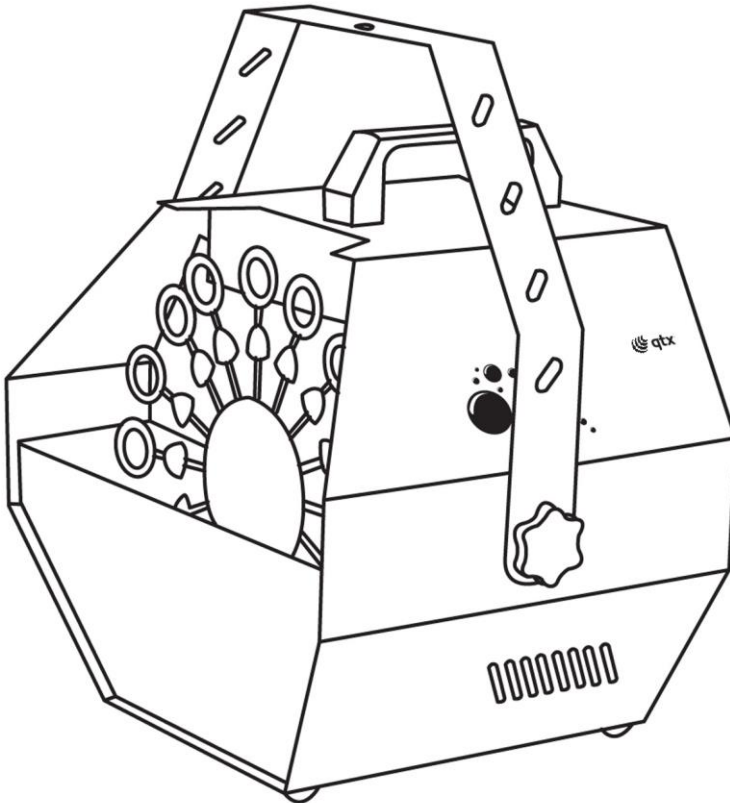


QTFX-B2

Bubble Machine

Item ref: 160.563UK

User Manual



Caution: Please read this manual carefully before operating
Damage caused by misuse is not covered by the warranty

Introduction

Thank you for choosing the QTFX-B2 bubble machine as part of your stage effects equipment. Please read and keep this manual to achieve the best results with your new purchase and avoid damage through misuse.

Unpacking

Your QTFX-B2 should reach you in good condition, supplied with IEC mains lead(s). If there are any signs of damage or items missing from the packaging, contact your dealer immediately.

Warning

To prevent risk of fire or electric shock, do not expose electrical parts to rain or moisture. If liquids are spilled on the housing or through the vents, disconnect the mains, allow the QTFX-B2 to dry out and have it checked by qualified personnel before further use. Avoid any impact, dropping or extreme pressure to the housing. No user serviceable parts inside - do not open the case. Refer all servicing to qualified service personnel.

Placement

The QTFX-B2 has an open front fluid tank and should be operated in an upright position. Choose a position where the bubble output is facing the area to be filled. Ensure easy access to the rear panel and to the bubble fluid tank for refilling and cleaning. When moving the unit around, take care not to spill the contents of the tank inside the machine.

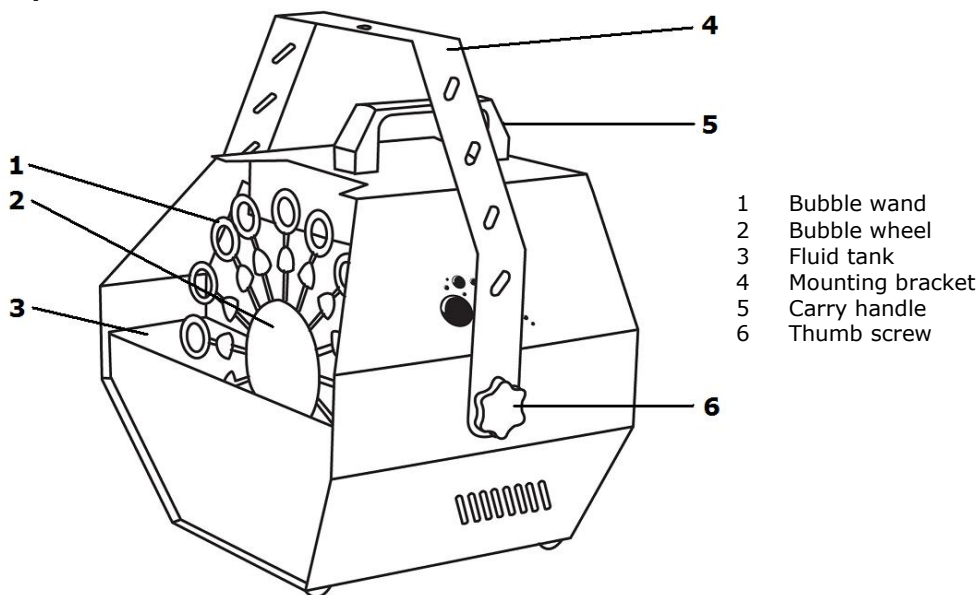
Safety

Check for correct mains voltage and condition of IEC lead before connecting to power outlet
This unit must be earthed

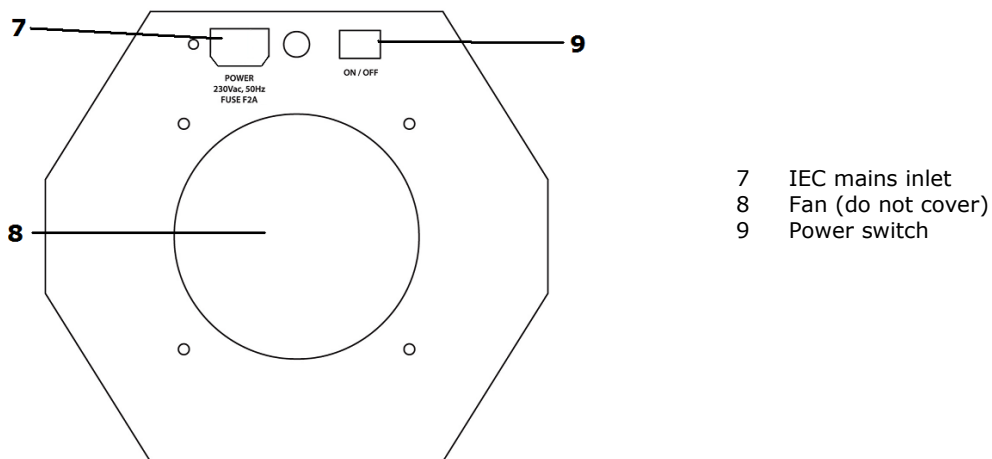
Cleaning

Use a soft dry or slightly damp cloth to clean the casing
Do not use strong solvents for cleaning the unit
Empty contents and rinse the bubble fluid tanks after each use

Layout



Rear Panel



Setup and Operation

The QTFX-B2 requires bubble fluid to produce the effect.

It is recommended to use qtx bubble fluid for best results (160.574UK, 160.575UK)

For bubbles that glow in UV light, qtx UV bubble fluid may be used (160.576UK, 160.577UK)

A chart for recommended fluids is included further along in this document

- Position the QTFX-B2 on a stable surface or mount upright using the integral bracket
- Pour bubble fluid directly into the front open tank, taking care not to spill on electrical parts of the machine
- Connect the IEC mains plug
- Switch power on at the rear panel to begin producing bubbles
- Switch off to stop producing bubbles
- Disconnect from mains when usage is finished
- Empty remaining bubble fluid back into container or dispose as appropriate
- Rinse fluid tray with water and wipe clean before next use

Specifications

Power supply	230Vac, 50Hz
Power consumption	40W
RPM	20
Fluid capacity	0.6l
Dimensions	290 x 240 x 220mm
Weight	2.0kg

Troubleshooting

Power switch not lit when switched on	Check mains is correct voltage & switched on
	Check IEC lead and mains inlet fuse
No bubbles output	Check fluid tank is filled enough to cover wands
	Ensure rear fan grille is not obstructed



This product is classed as Electrical or Electronic equipment and should not be disposed with other household or commercial waste at the end of its useful life. The goods must be disposed of according to your local council guidelines

Errors and omissions excepted.

Copyright© 2021 AVSL Group Ltd, Unit 2 Bridgewater Park,
Taylor Road, Trafford Park, Manchester. M41 7JQ.

AVSL (Europe) Ltd, Unit 3D North Point House,
North Point Bus. Park, New Mallow Road, Cork, Ireland.



Effects Fluid Chart

Bubble Fluid		Description		Results		For use with	
Stock Code	Volume	Description		Results		For use with	
160.574UK	1 Litre	Bubble fluid		Light, long-lasting bubbles		160.462UK, 160.560UK 160.562UK, 160.563UK 160.564UK	
160.575UK	5 Litre						
160.576UK	1 Litre						
160.577UK	5 Litre	UV bubble fluid		Light bubbles which glow in UV light			
Snow Fluid		Description		Results		For use with	
160.578UK	1 Litre	Snow fluid		High quality snow fluid. Lasts 30% longer than other standard fluids		160.565UK, 160.569UK	
160.579UK	5 Litre						
Fog Fluid		Description		Results		For use with	
Stock Code	Volume	Description	Colour	Dispersion	Density	Stability	Fog colour
160.643UK	1 Litre	Standard fog fluid	Yellow	Quick	Light	Low	White
160.582UK	5 Litre						
160.587UK	1 Litre	High grade fog fluid	Orange	Slow	Medium	Good	White
160.588UK	5 Litre						
160.644UK	1 Litre	High quality fog fluid	Pink	Slow	High	Good	Thick white
160.583UK	5 Litre						
160.589UK	5 Litre	Premium fog fluid	Clear	Slow	Very high	Excellent	Opaque White
160.592UK	1 Litre	Low level fog fluid	Clear	Slow	Highest	Excellent	Opaque White
160.593UK	5 Litre	Fog machine cleaner	Clear	Extends life of your fog machine			
160.670UK	20ml						
Haze		Description		Results		For use with	
Stock Code	Volume	Description	Colour	Dispersion	Density	Stability	Haze colour
160.590UK	1 Litre	High quality haze fluid	Clear	Slow	High	Good	Thick white
160.591UK	5 Litre						